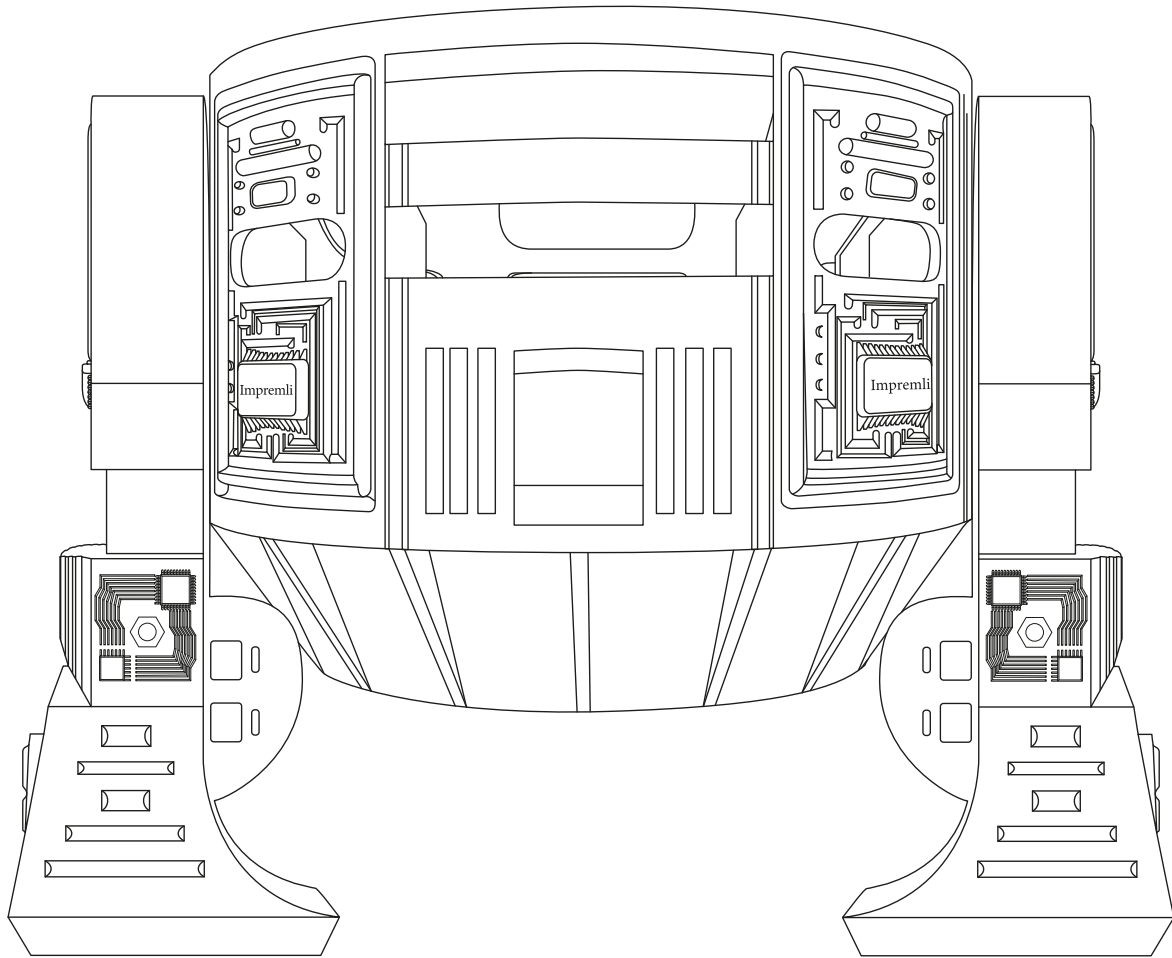
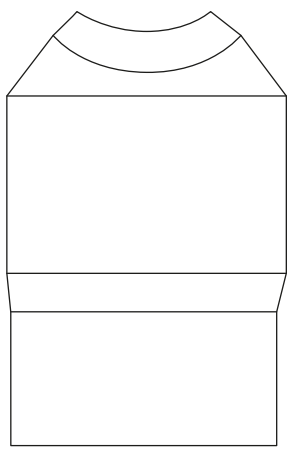


¿What's included?

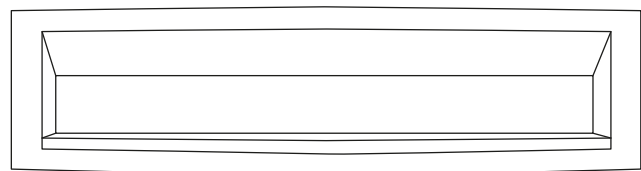
1 STAND



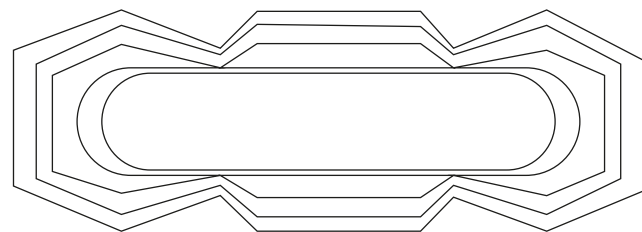
2 ACCESSORIES



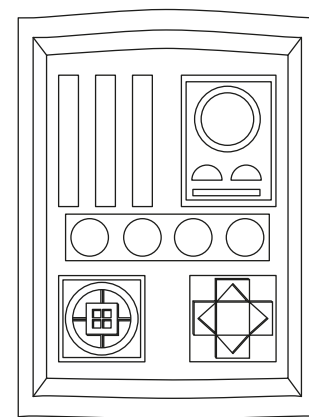
A (X2)



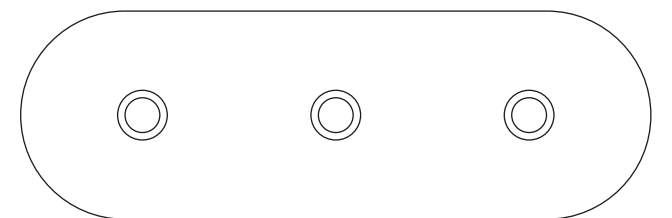
B



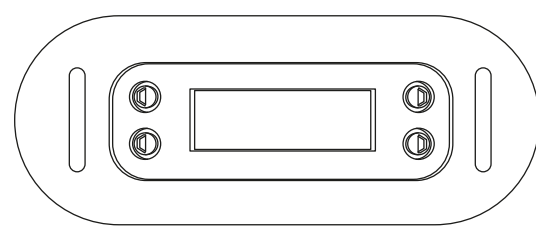
C



D



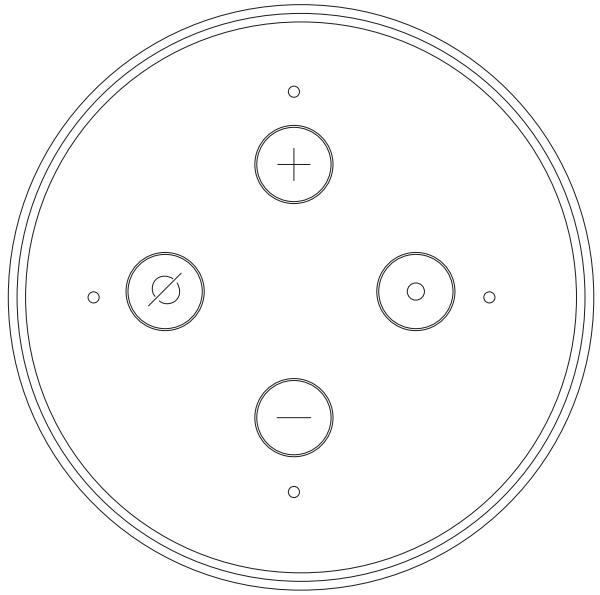
E (X4)



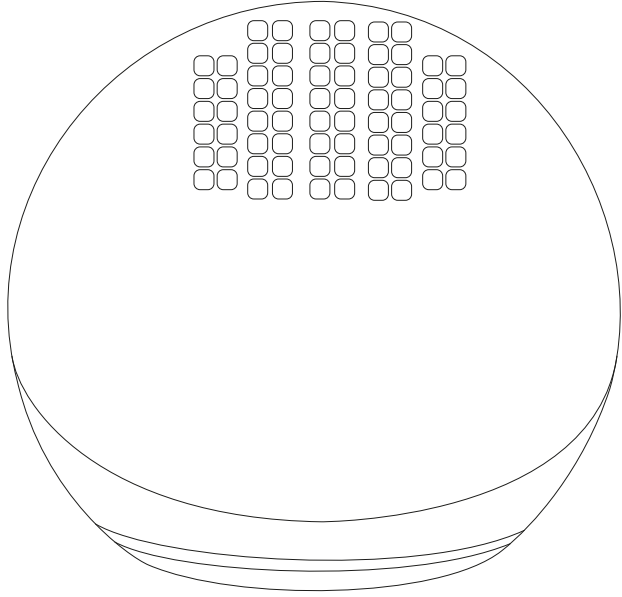
F

Compatible With

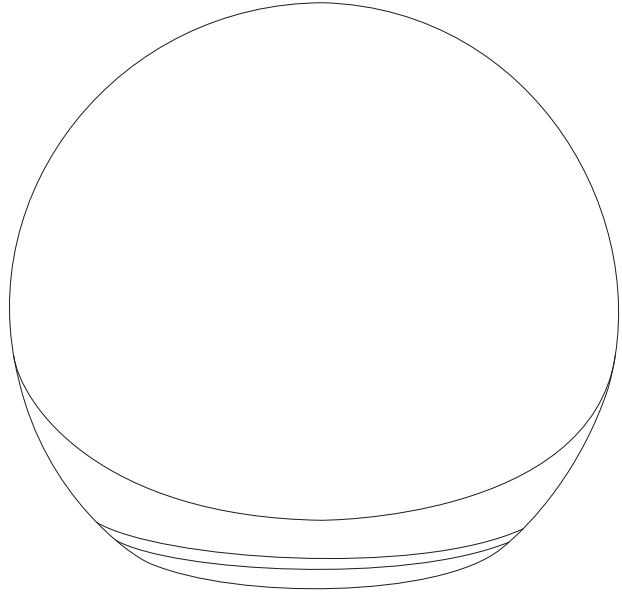
Alexa Echo
Dot 3G



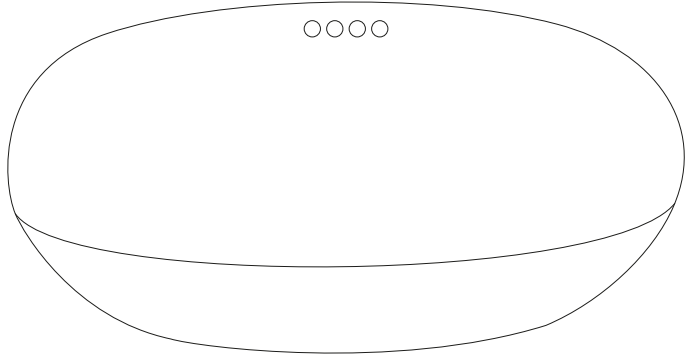
Alexa Echo
Dot 4G



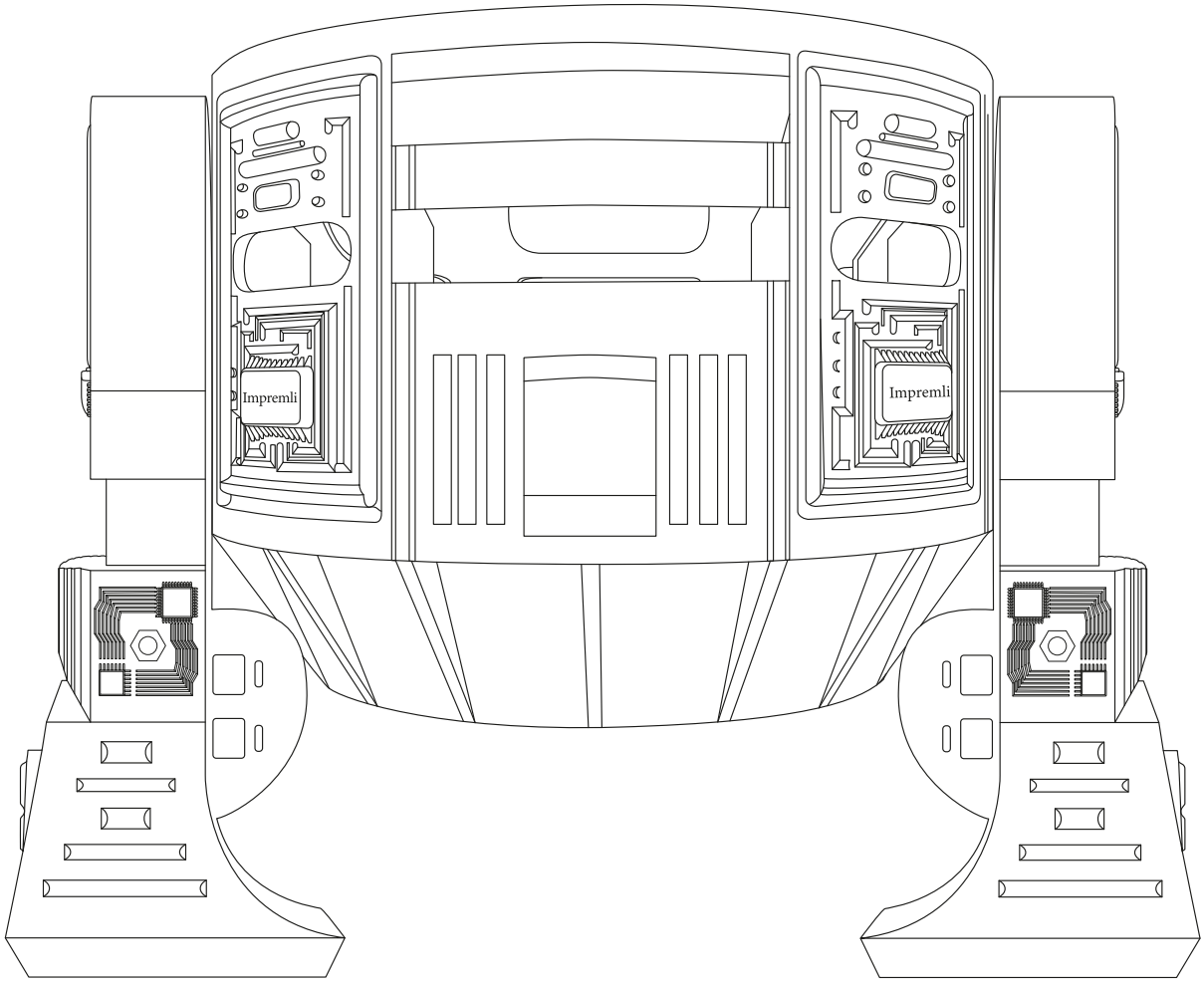
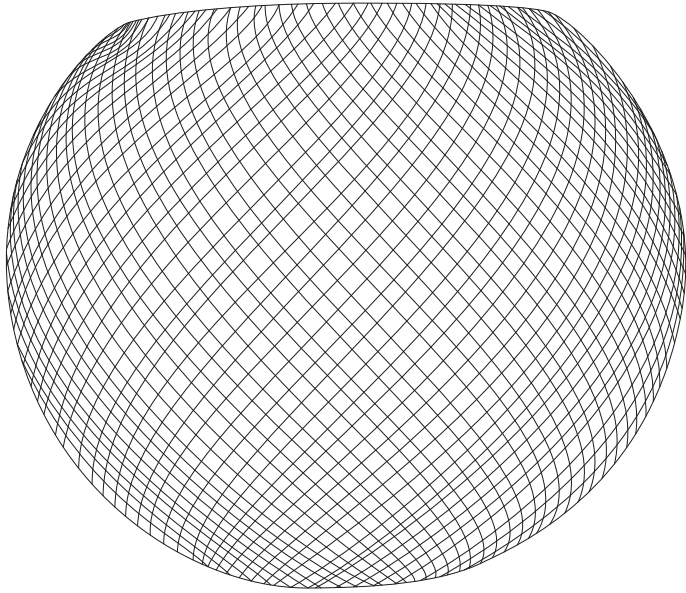
Alexa Echo
Dot 5G



Google Home Mini
Google Nest Mini



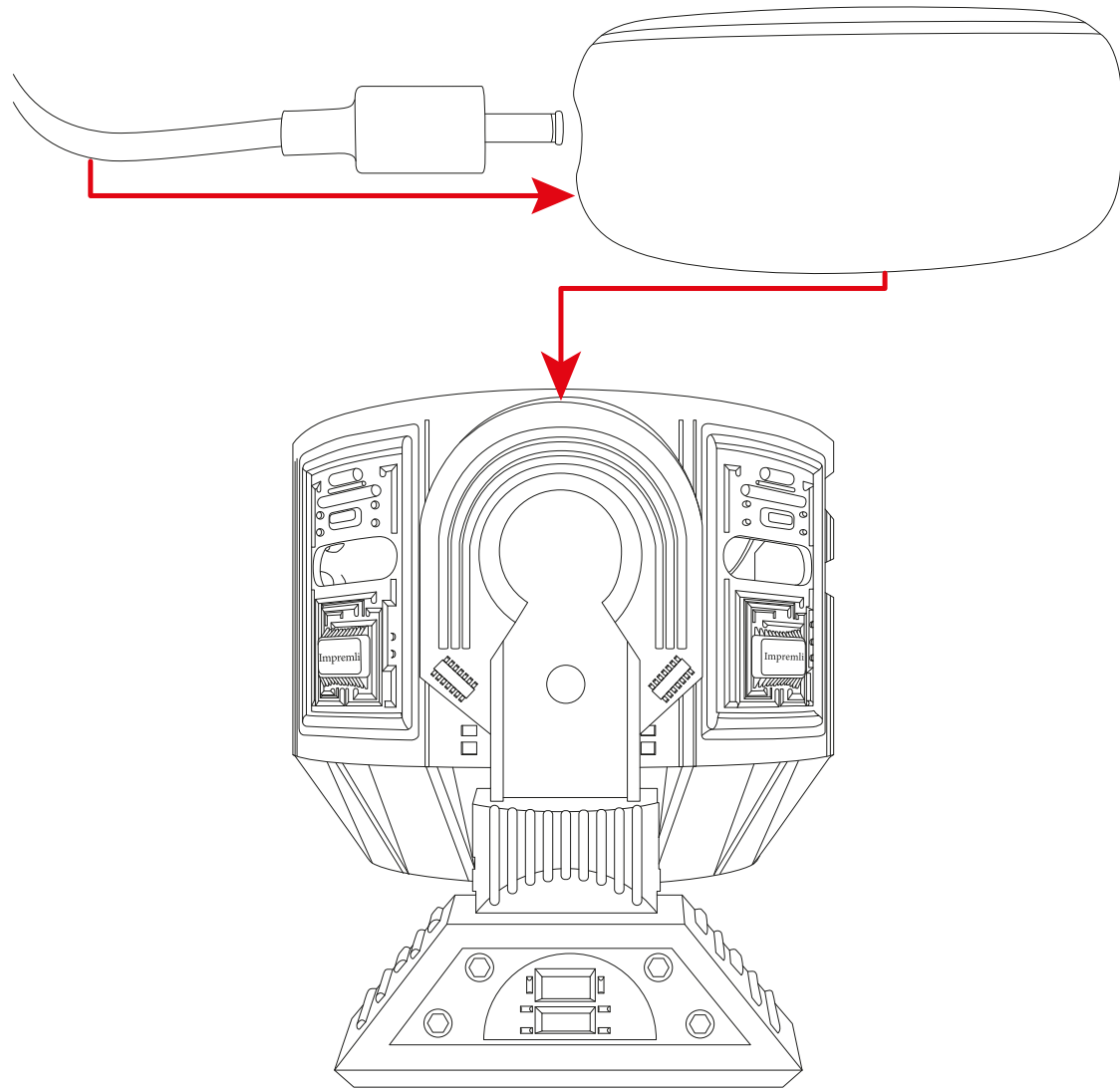
Home Pod Mini
Apple



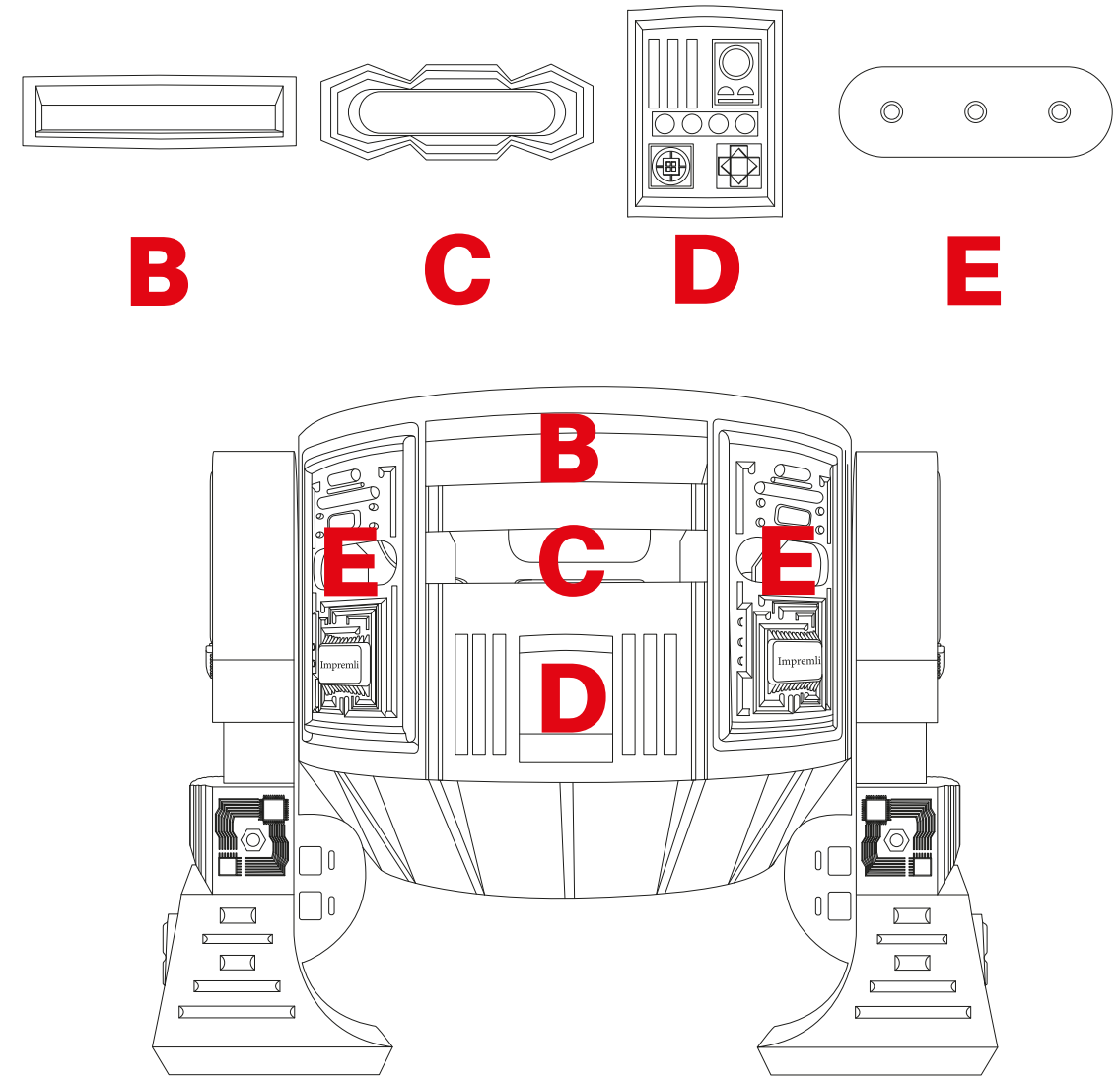
Note: Compatible with
devices 3.9" X 3.9" size.

Alexa Echo Dot 3G

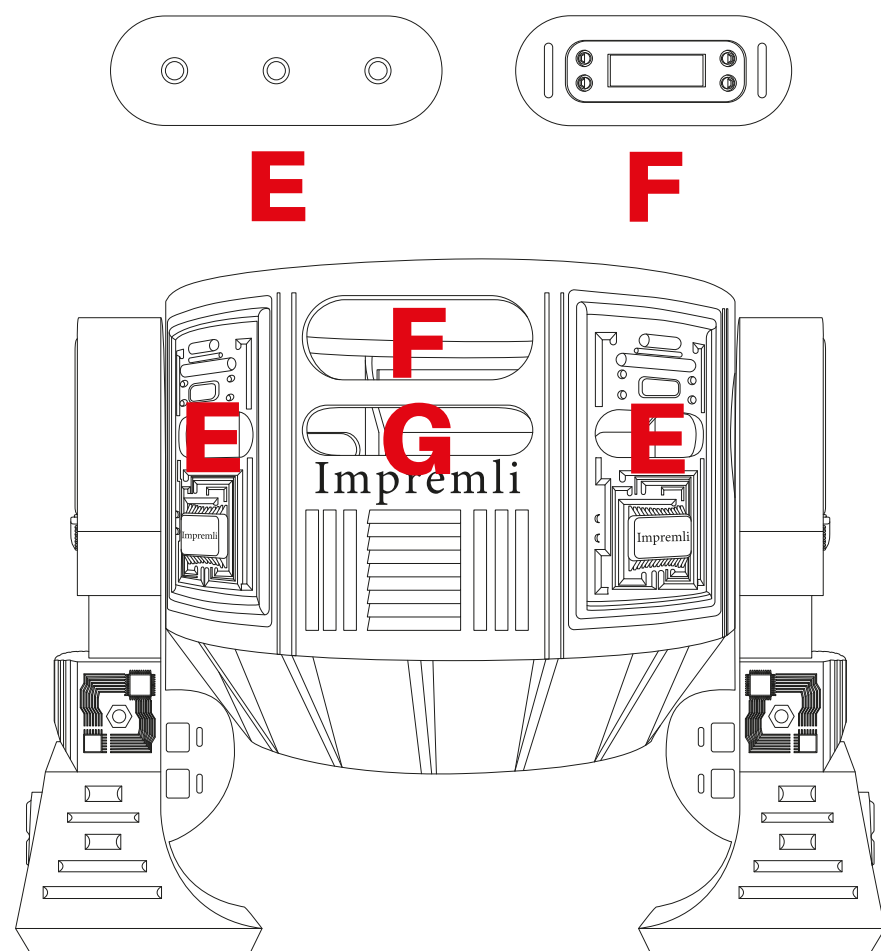
1 First connect the power cord to device and then to the stand



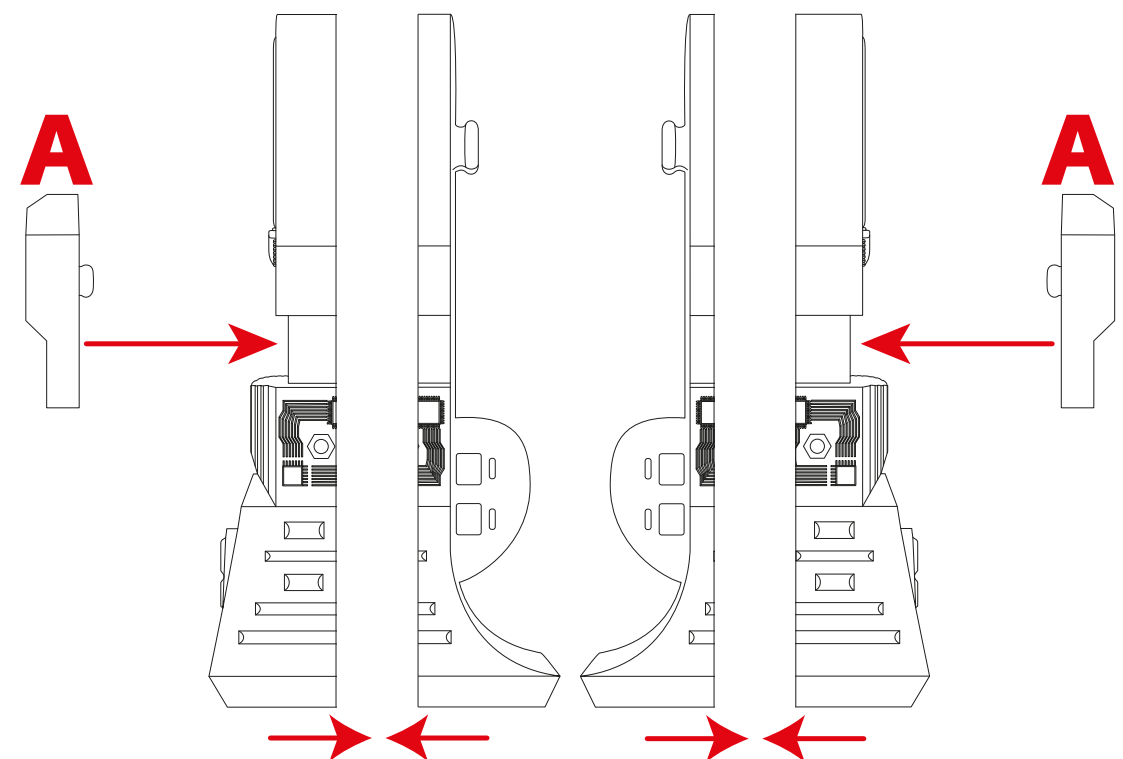
2 Front side Body Accessories



3 Back side Body Accessories

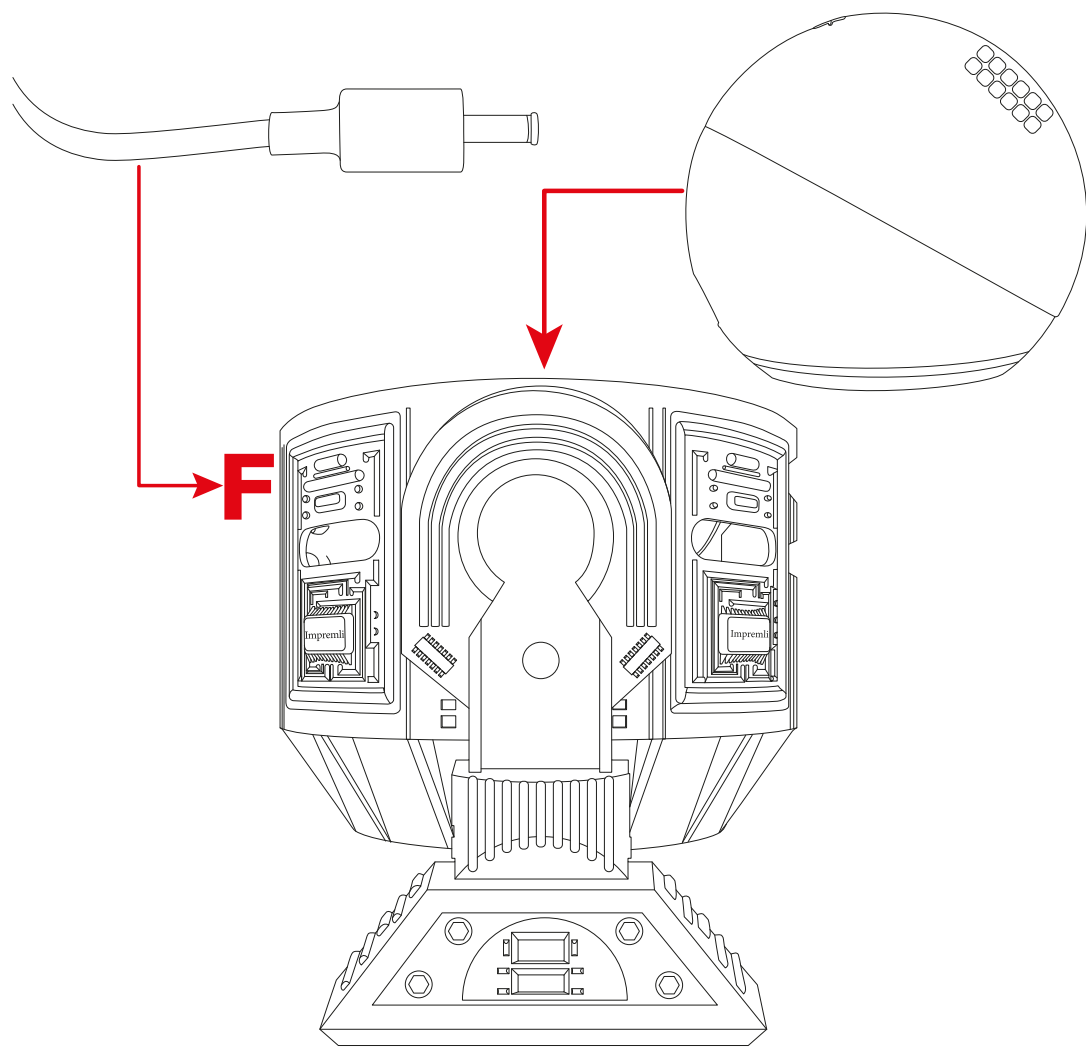


4 Leg Assembly

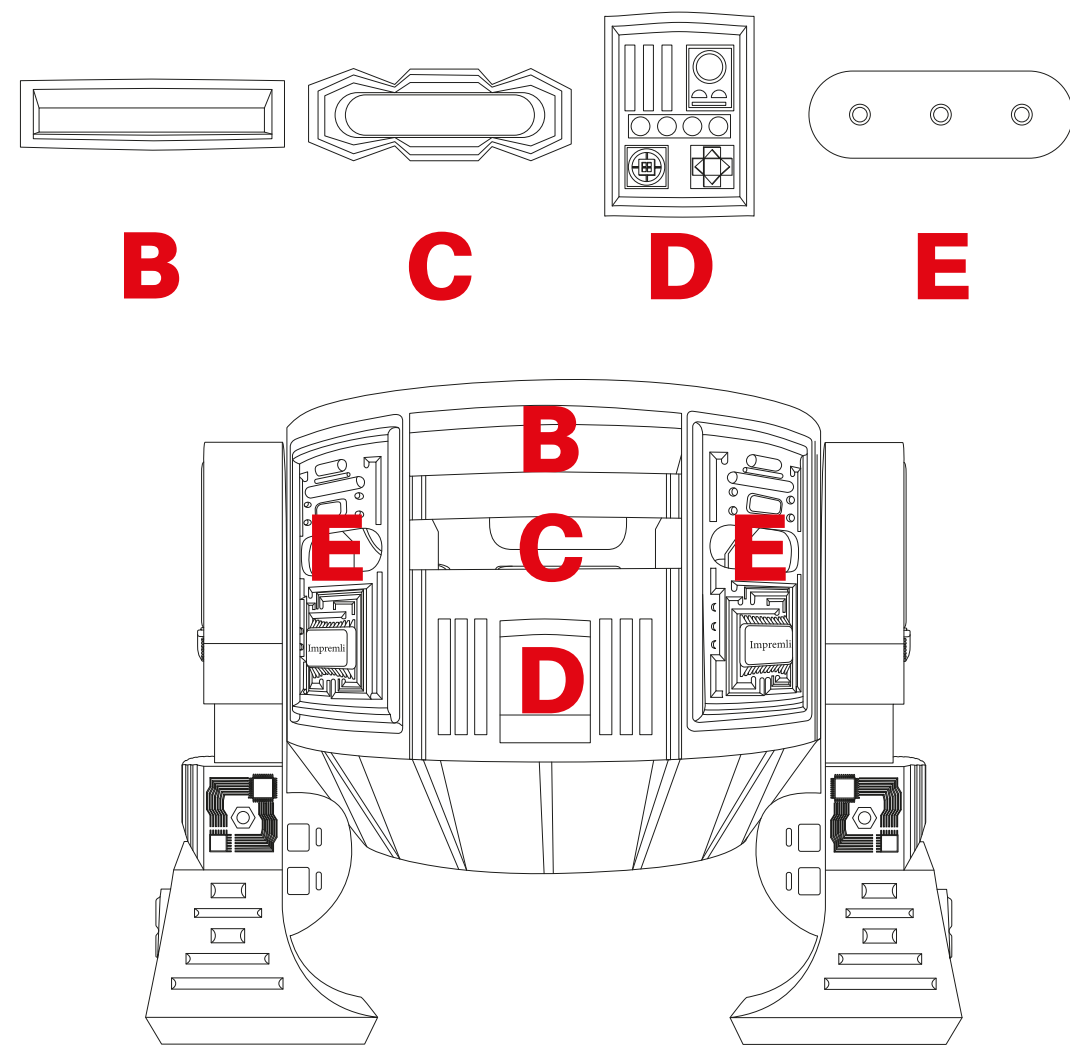


Alexa Echo Dot 4G

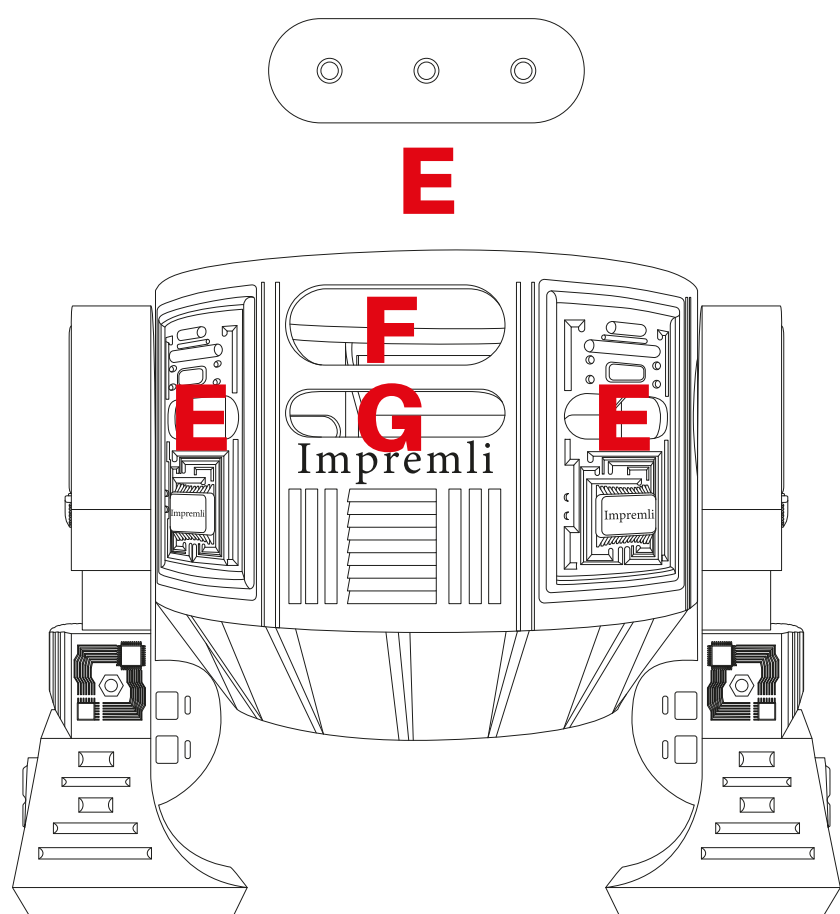
1 First insert the power cord into the module "F" and then put the speaker in the stand



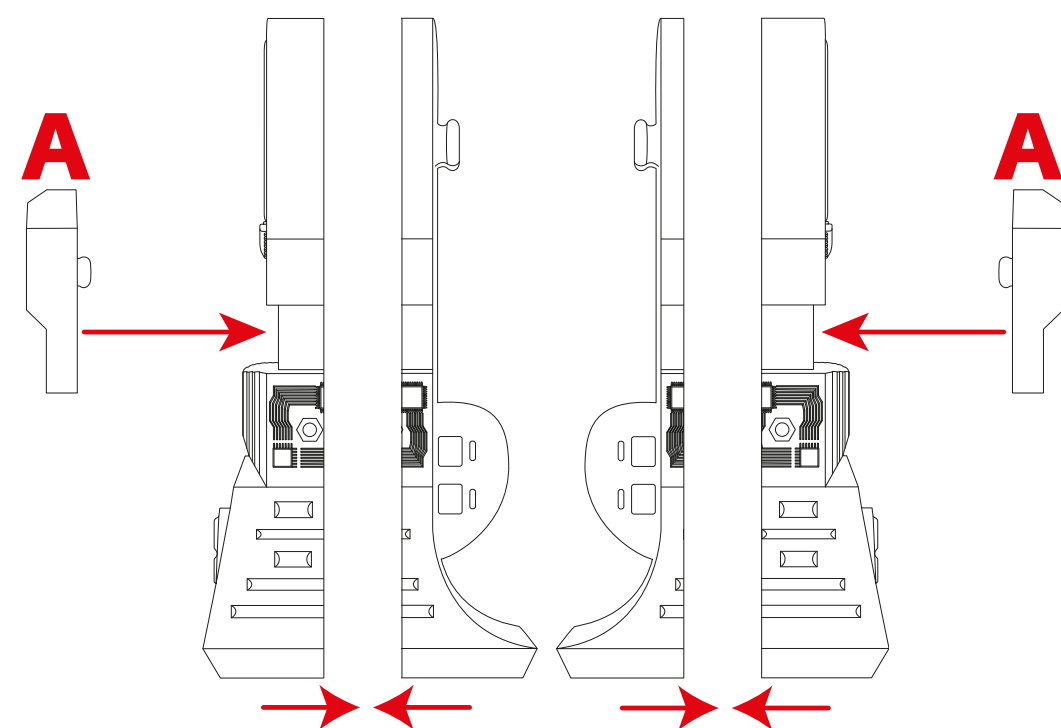
2 Front side Body Accessories



3 Back side Body Accessories



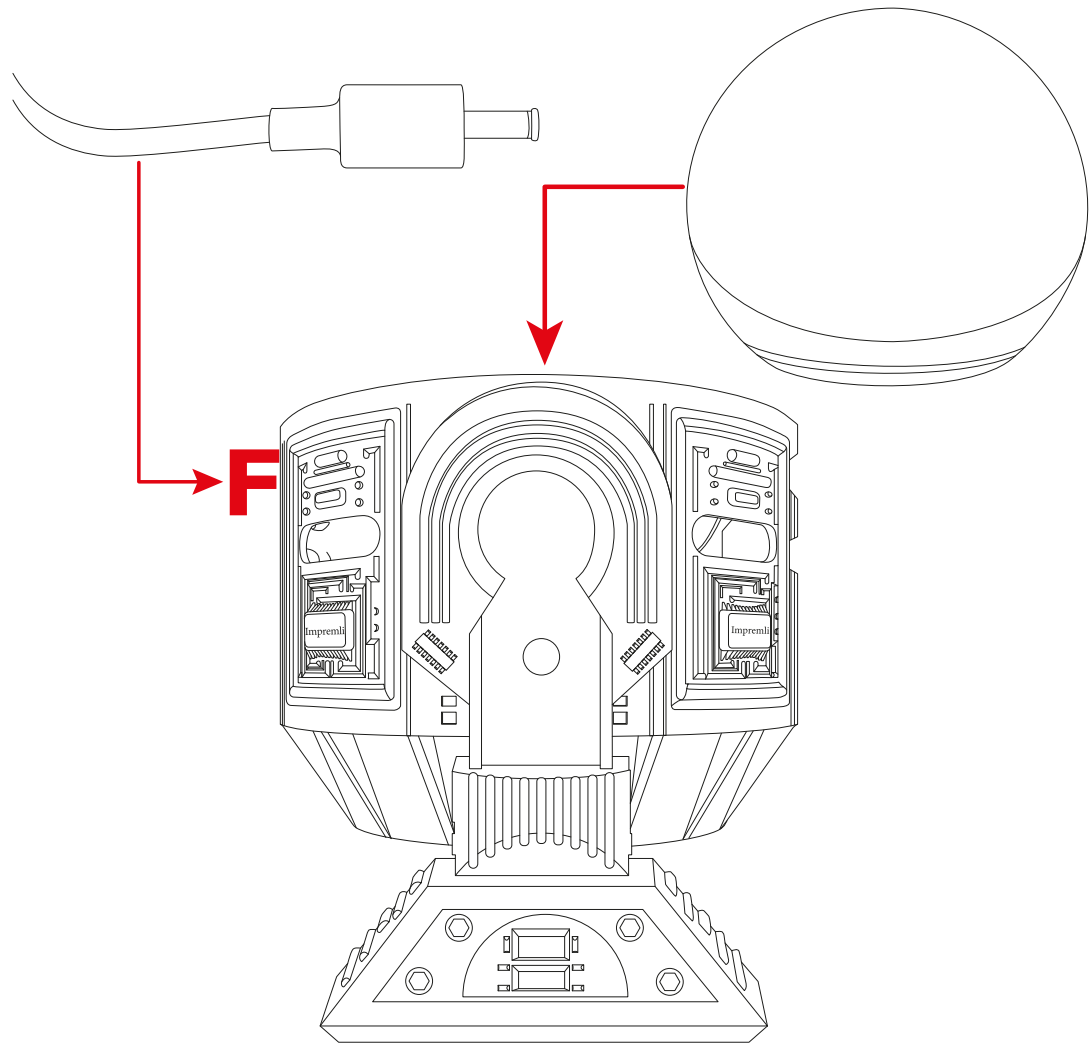
4 Leg Assembly



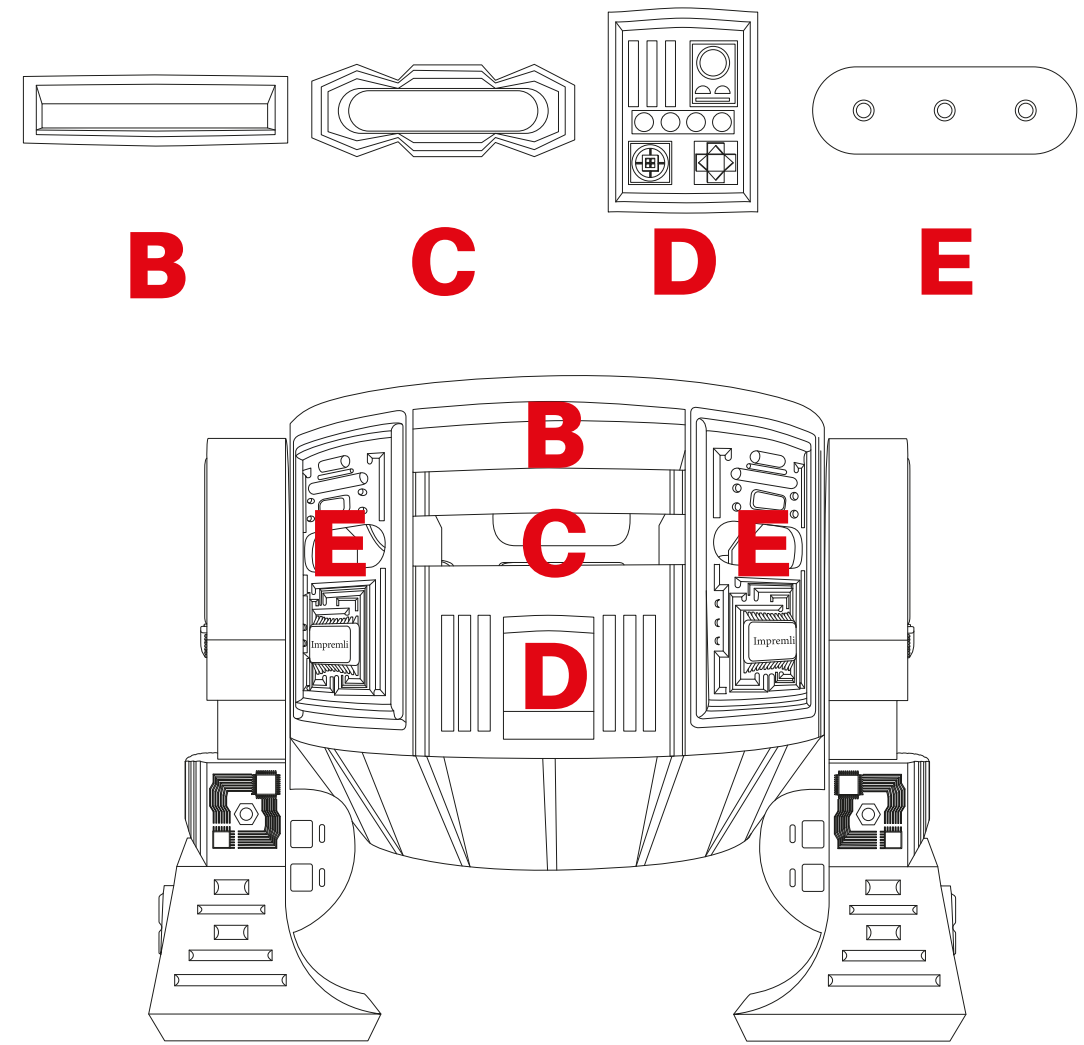
Accessories "E" are optional on this model.

Alexa Echo Dot 5G

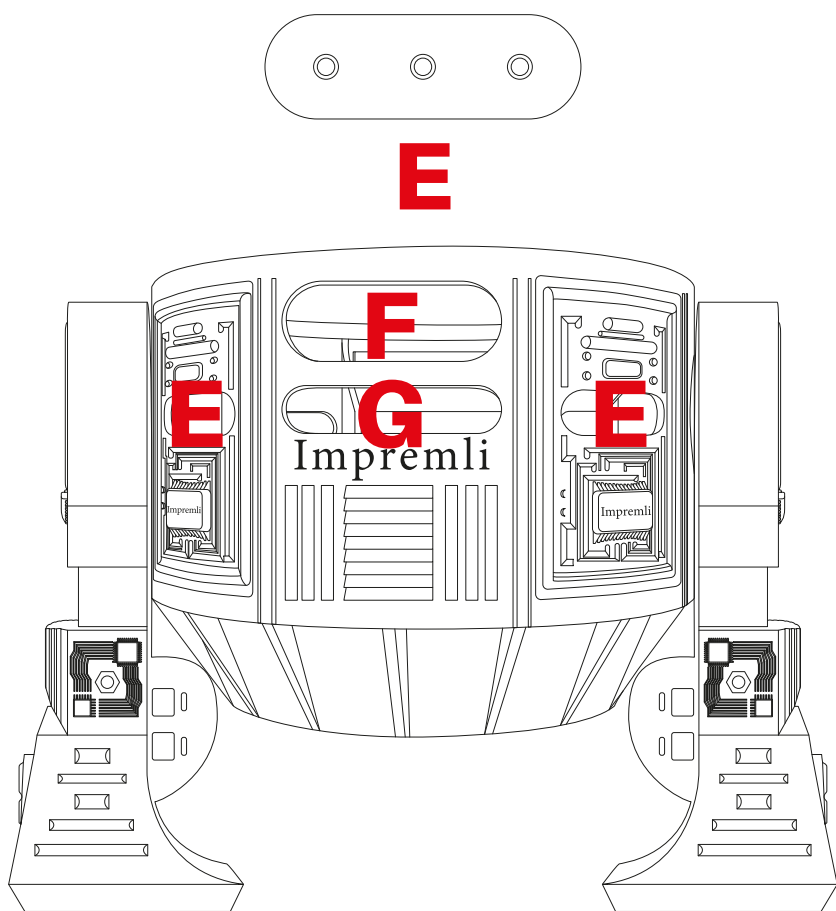
- 1 First insert the power cord into the module "F" and then put the speaker in the stand



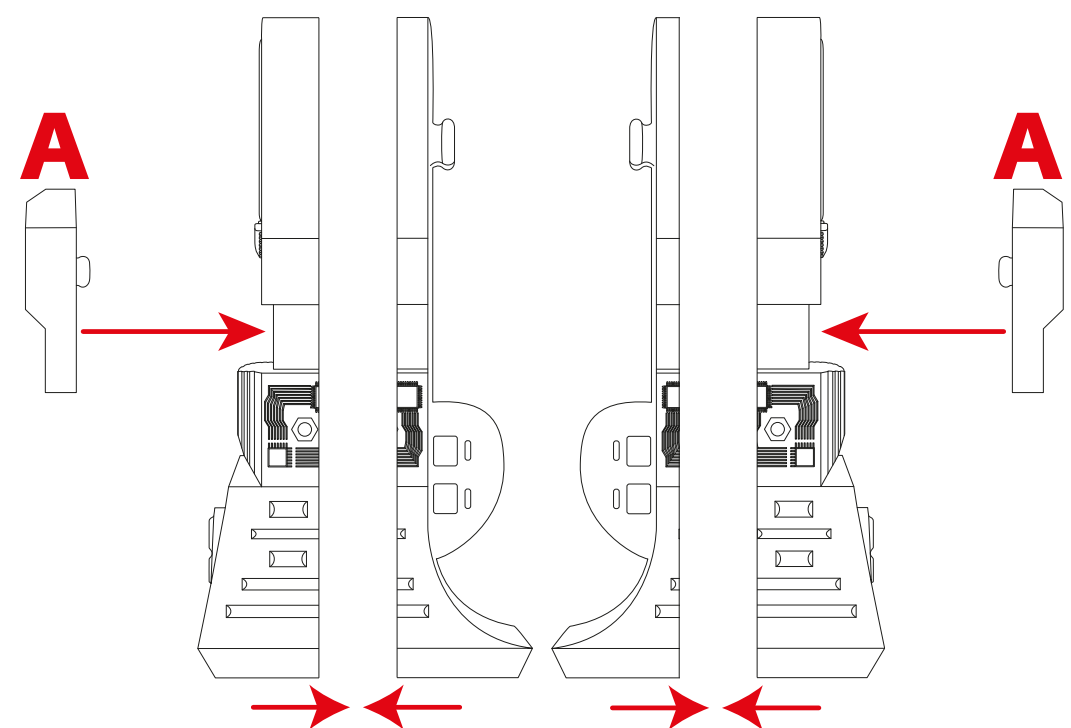
- 2 Front side Body Accessories



- 3 Back side Body Accessories



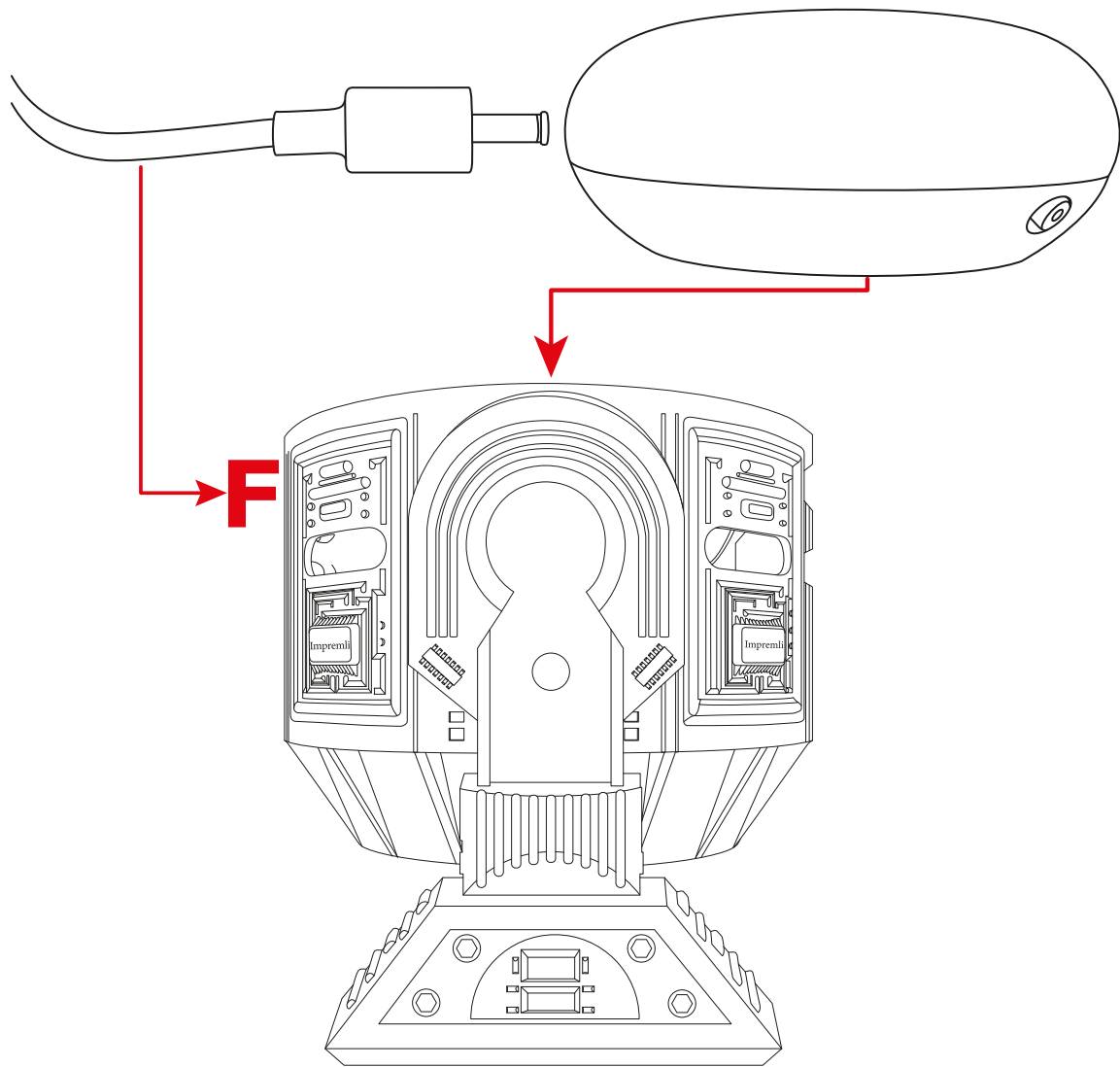
- 4 Leg Assembly



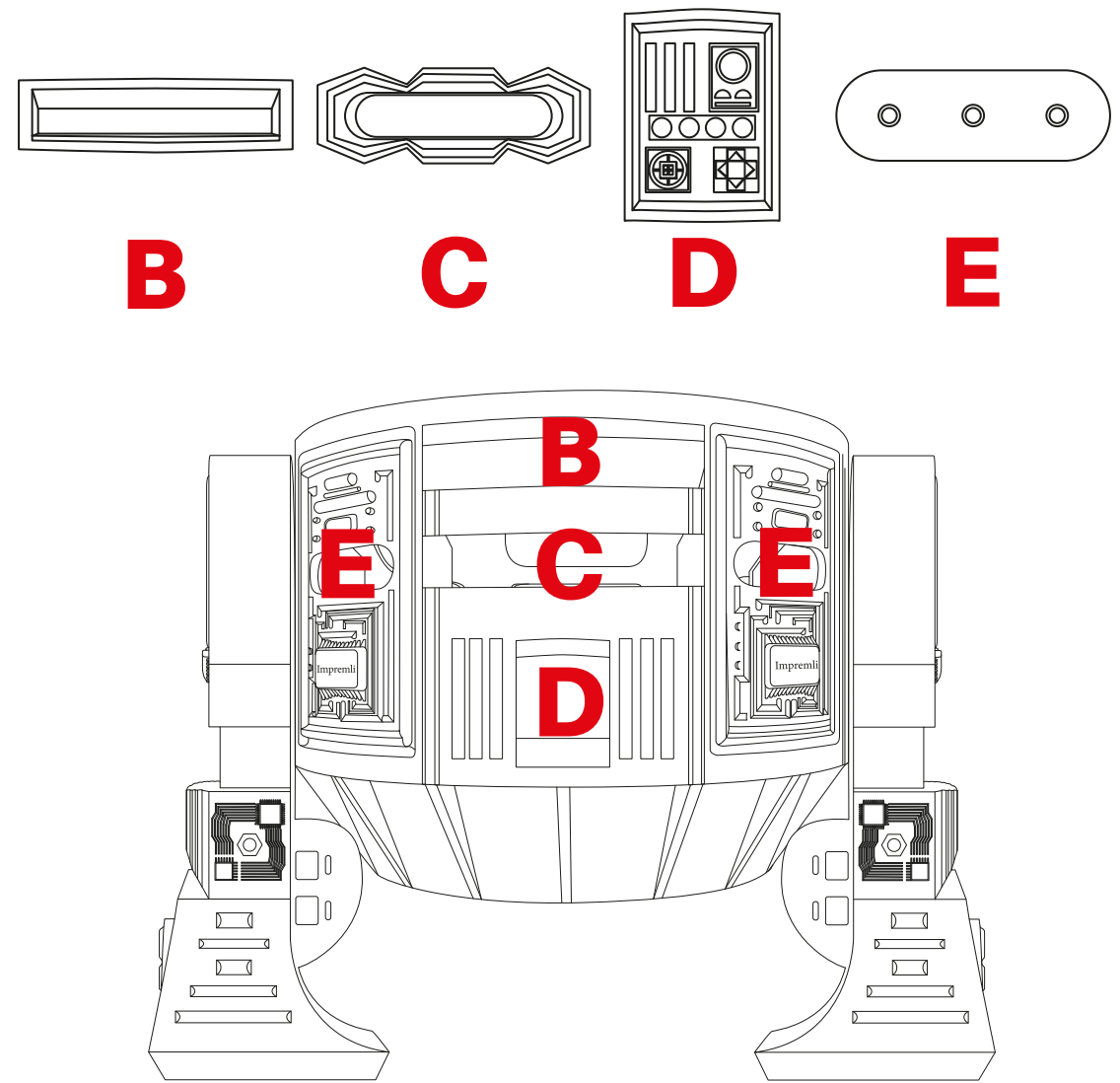
Accessories "E" are optional on this model.

Google Home Mini / Nest Mini

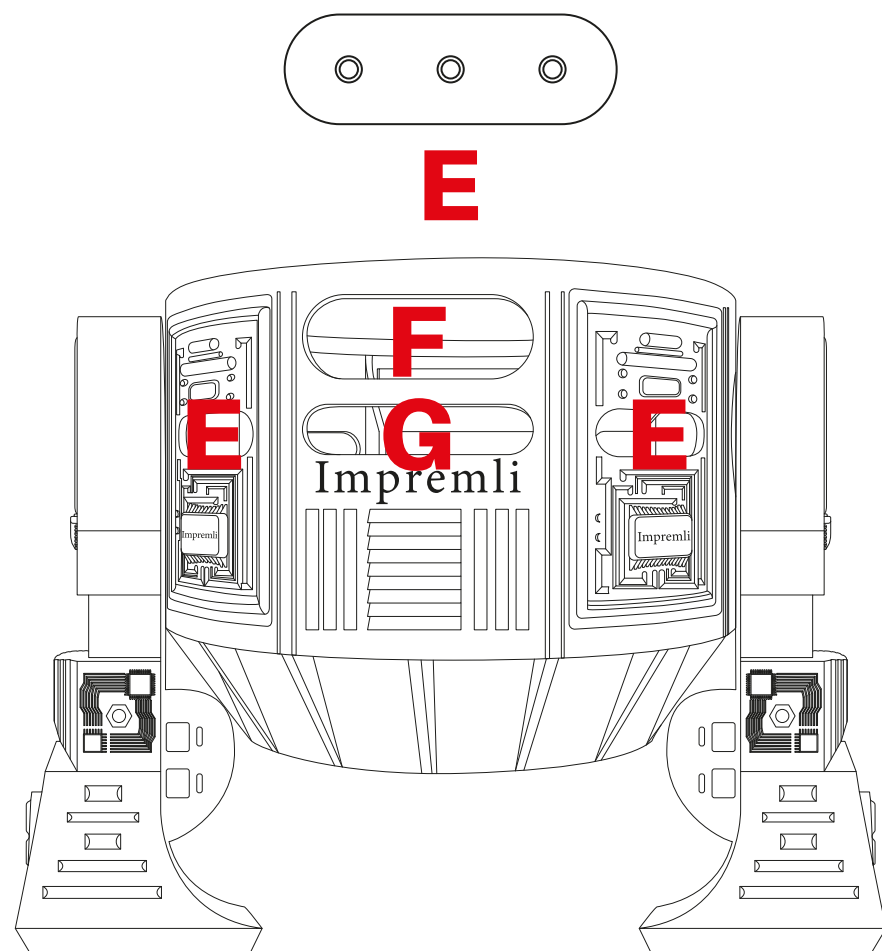
1 First insert the power cord into the module "F" and then put the speaker in the stand



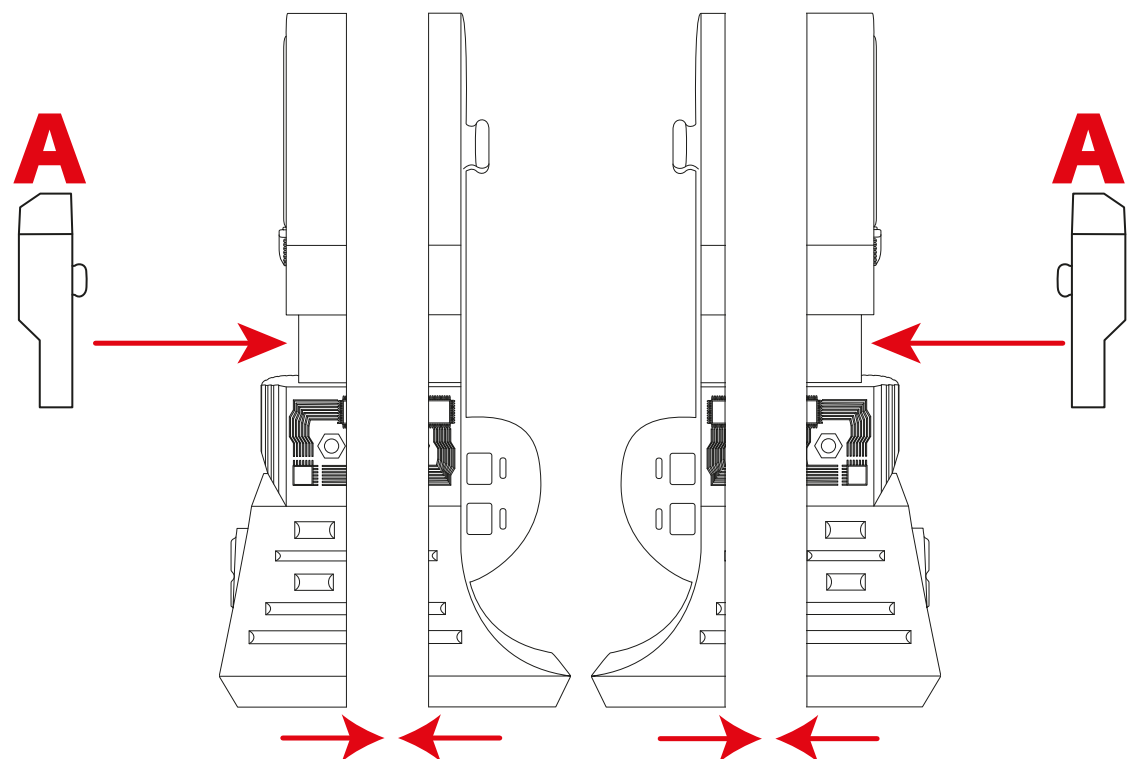
2 Front side Body Accessories



3 Back side Body Accessories

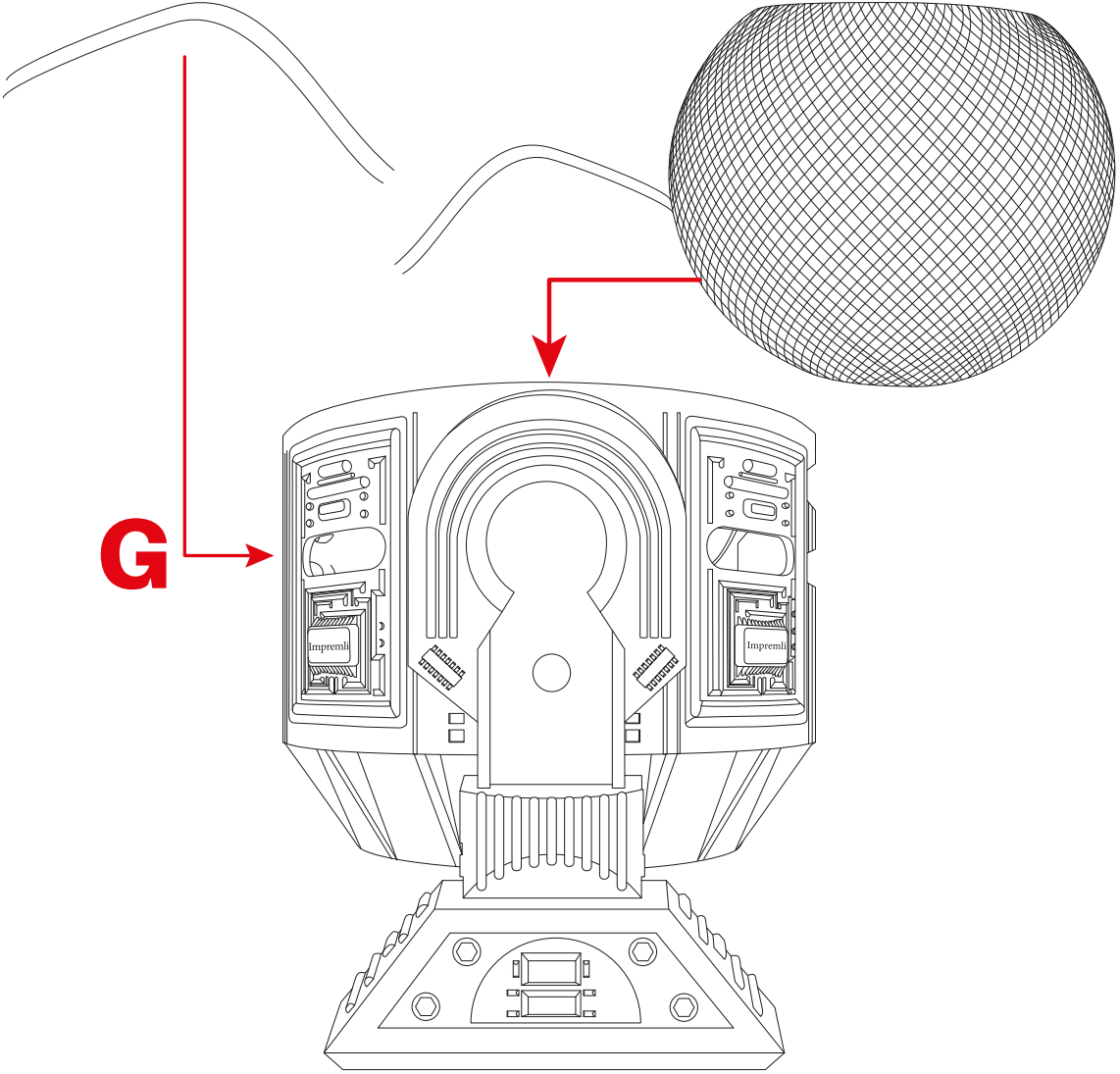


4 Leg Assembly

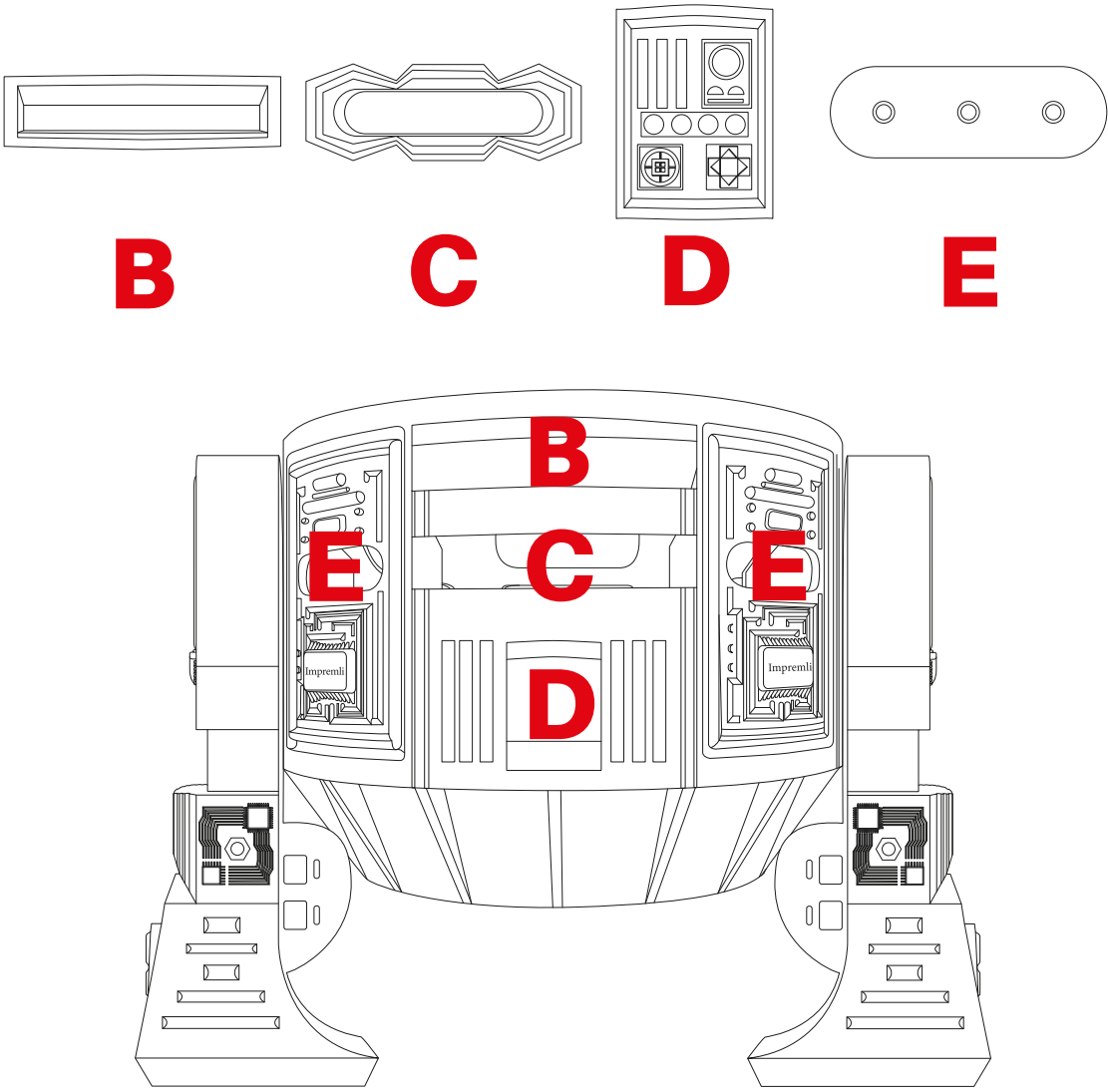


Home Pod Mini Apple

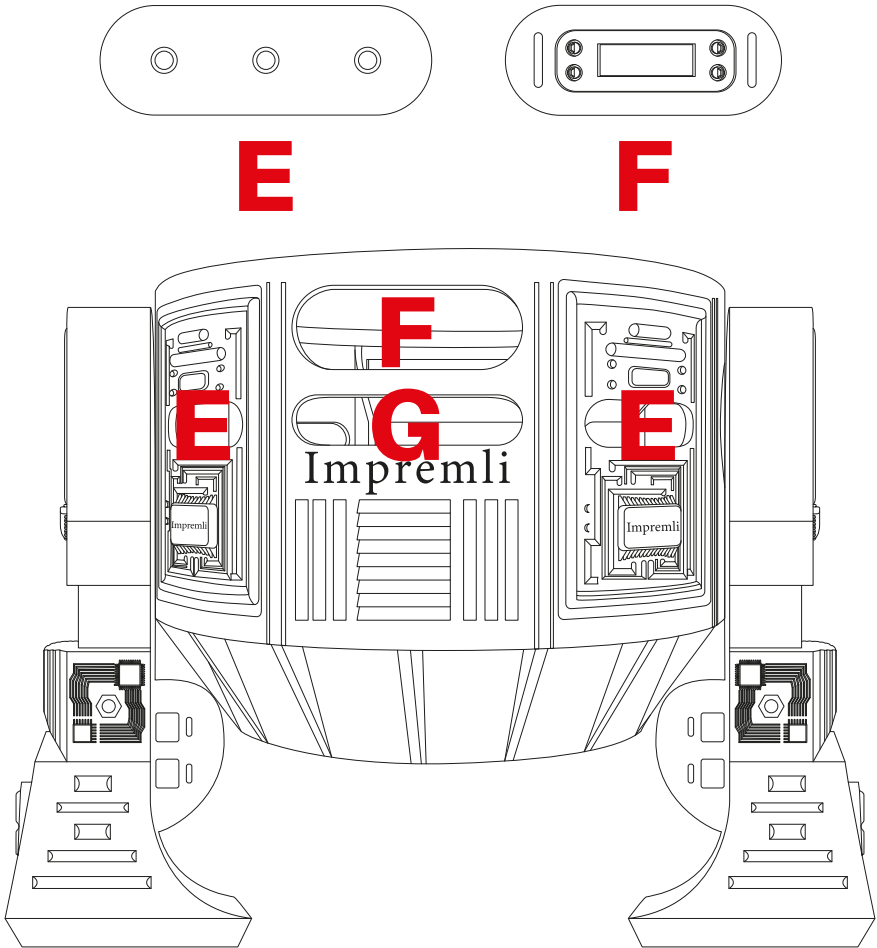
1 First insert the power cord into the module "G" and then put the speaker in the stand



2 Front side Body Accessories



3 Back side Body Accessories



4 Leg Assembly

